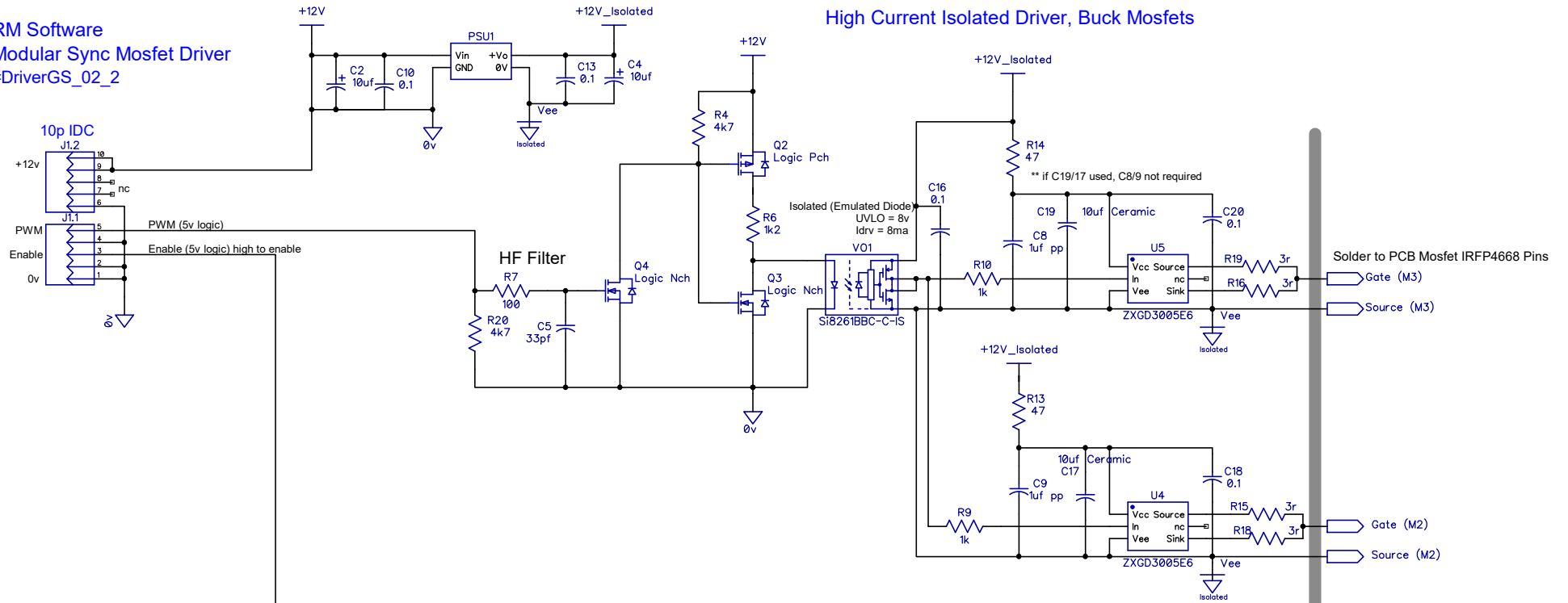
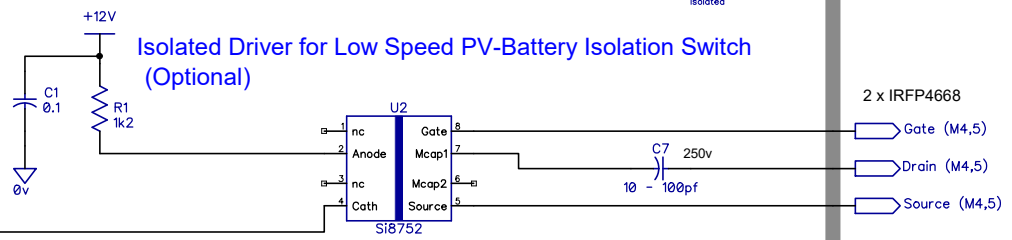


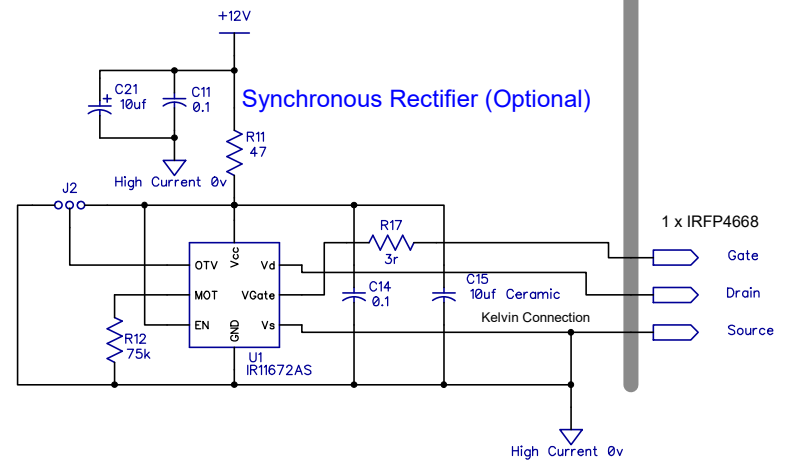
RM Software
Modular Sync Mosfet Driver
#DriverGS_02_2



Isolated Driver for Low Speed PV-Battery Isolation Switch
(Optional)



Synchronous Rectifier (Optional)



High Current 0v